

**CRANKCASE/OIL SUMP/OIL DIPSTICK/THROTTLE COVER/GASKET SET**

POS.	CODE	DESCRIPTION	Qty
01	A21R.070	crankcase	1
02	8400.120	lockpin	1
03	8990.058	plug	4
03a	886R.057	plug	1
04	399R.086	flange	1
05a	7625.008	washer diam. 6,4	1
06	9732.084	screw M 6 X 12	2
07	579R.079	O-ring	1
08	9600.090	foolproof tube	1
09	4670.058	copper gasket diam. 8,2X12X1,5	2
10	579R.049	O-ring	1
11	233R.086	cover	1
12	9730.438	screw	1
13	1780.030	bolt M 10 X 1,5 X 20	2
14	579R.078	O-ring	1
15	8675.300	support	1
16	9732.092	screw M 8 X 18	2
17	9730.118	screw M 8 X 22	8
18	310R.077	bearing std. (gear side)	1
18	310R.080	bearing -0,25 (gear side)	1
18	310R.081	bearing -0,50 (gear side)	1
19	A21R.025	kit oil seal	1
20	4670.061	copper gasket diam.14	2
21	8965.005	oil drain plug M 14	1
21a	9040.012	plug M 14	1
22	6645.623	oil pan (aluminium type)	1
22	6645.696	oil pan with double oil discharging	1
23	9730.438	screw	2
24	1760.001	bolt M 6 X 1 X 10	1
25	734R.072	net	1
26	999R.020	screw	1
27	956R.045	by-pass valve	1
28	1760.138	screw	15
29	450R.060	gasket	1
30	995R.016	capscrew	2
31	494R.088	lever	1
32	579R.001	O-ring	1
33	9180.191	adjuster M 6	1
34	235R.005	cover ass.y	1
34	2750.503	cover	1
35	547R.028	spring	1
36	1760.003	bolt M 6 X 1 X 12	1
37	494R.086	eXternal lever for stop	1
37a	491R.067	eXternal lever for stop	1
38	9732.078	screw M 6 X 25	5
39	4670.058	copper gasket diam. 8,2X12X1,5	2
40	323R.007	nut	1
41	6760.034	stud M 6	1
42	758R.039	washer	1
43	9032.095	charging oil plug	1
44	4431.188	gasket	1
45	722R.024	eXtra fuel adjusting screw	1
46	4431.176	gasket	1

**Group: 25LD**

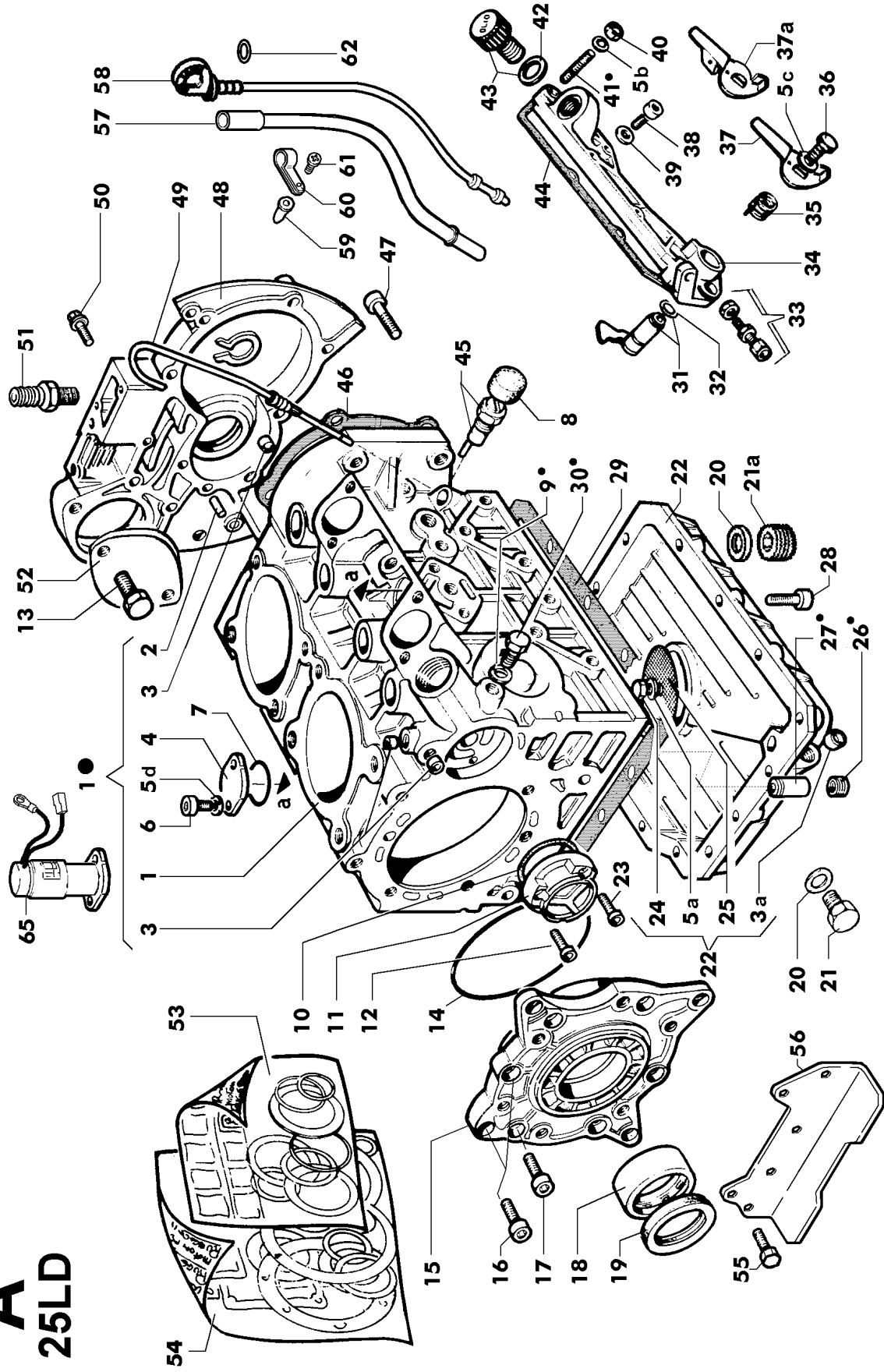
**Engine: 25LD 330-2 Drawing: A**

**CRANKCASE/OIL SUMP/OIL DIPSTICK/THROTTLE COVER/GASKET SET**

POS.	CODE	DESCRIPTION	Qty
47	9732.064	screw M 8 X 30	10
48	240R.045	gear cover	1
49	076R.048	oil dipstick	1
50	1760.131	bolt M 6 X 1 X 20	1
51	717R.080	union	1
52	6300.021	cover	1
53	A21R.041	overhaul gasket set	1
54	A21R.042	complete gasket set	1
55	1770.004	bolt M 8 X 1,25 X 20	12
56	626R.003	engine mount	2
65	674R.047	electro-magnet 12V	1



# A 25LD



**CONN.ROD/PISTON SET/CYLINDER/CRANKSHAFT/FLYWHEEL/START.PULLEY**

POS.	CODE	DESCRIPTION	Qty
01	684R.026	stud	8
02	4730.779	gasket 1,15	2
02	4730.780	gasket 1,20	2
02	4730.781	gasket 1,25	2
02	4730.782	gasket 1,30	2
02	4730.783	gasket 0,80	2
02	4730.784	gasket 0,85	2
02	4730.785	gasket 0,90	2
02	4730.786	gasket 0,95	2
02	4730.787	gasket 1,00	2
02	4730.788	gasket 1,05	2
02	4730.789	gasket 1,10	2
03	«-----»	gasket	0
04	203R.098	cylinder	2
05	A23R.042	kit cylinder-piston	2
06	A21R.028	piston	2
07	1200.006	O-ring	8
08	072R.003	push rod	4
09	940R.028	protection pipe	4
10	A21R.032	piston rings	2
11	854R.018	piston pin	2
12	«-----»	ring	0
13	100R.041	connecting Rod	2
14	1770.101	bolt M 8 X 1 X 42	4
15	A26R.037	big end bushing std.	2
15	A26R.040	big end bushing -0,25	2
15	A26R.041	big end bushing -0,50	2
16	310R.077	bearing std. (flywheel side)	1
16	310R.080	bearing -0,25 (flywheel side)	1
16	310R.081	bearing -0,50 (flywheel side)	1
17	993R.065	screw	1
18	771R.039	washer	1
19	A21R.026	crankshaft	1
20	886R.049	plug	1
21	9080.132	plug diam. 6	4
22	9730.032	screw M 8 X 45	2
23	7625.010	washer diam. 8	2
24	880R.026	support	1
25	8400.020	lockpin 6 X 12	2
26	9730.031	screw M 8 X 40	2
27	A26R.049	middle supp.bearing std.	1
27	A26R.050	middle supp.bearing -0,25	1
27	A26R.051	middle supp.bearing -0,50	1
28	498R.023	tab	1
29	498R.019	tab	1
30	469R.064	gear	1
31	A21R.025	kit oil seal	1
32	9881.475	Flyweel	1
34	8430.014	lockpin 6 X 16	1
36	697R.027	pulley	1
37	771R.028	washer	1
38	323R.014	nut	1
40	4055.045	starting rope	1

**Group: 25LD**

**Engine: 25LD 330-2 Drawing: B**

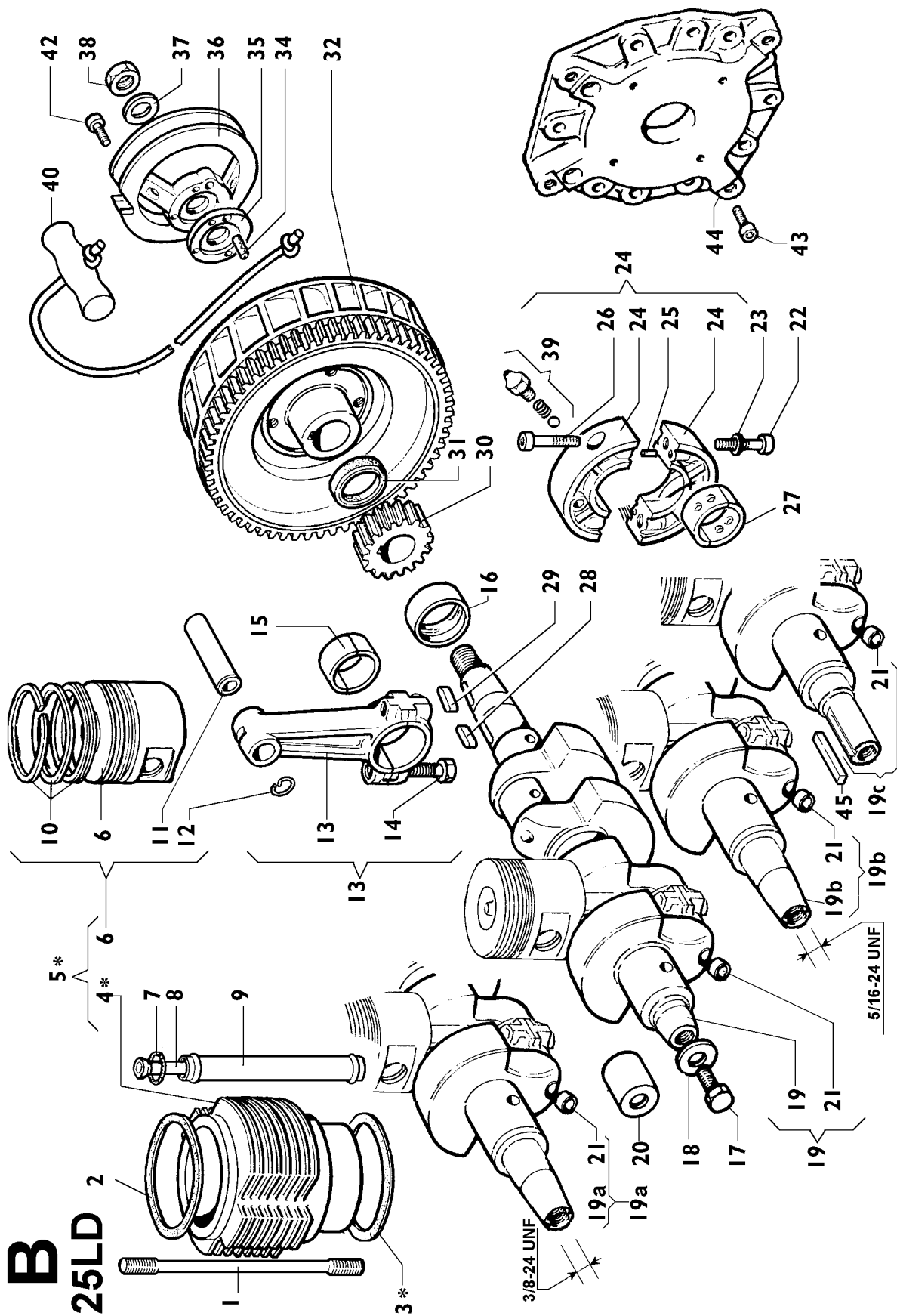
**CONN.ROD/PISTON SET/CYLINDER/CRANKSHAFT/FLYWHEEL/START.PULLEY**

POS.	CODE	DESCRIPTION	Qty
42	9730.012	screw M 6 X 20	3
43	9732.064	screw M 8 X 30	6
44	400R.042	flanging plate SAE A/B	1

**Additional Info - Engine: 25LD 330-2 Drawing: B**

**CONN.ROD/PISTON SET/CYLINDER/CRANKSHAFT/FLYWHEEL/START.PULLEY**

Pos.	Old part	Serv.Lett.	Notes	S.No/Date
B 02		250001	-	4970698
B 02		250001	-	4970698
B 02		250001	-	4970698
B 02		250001	-	4970698
B 02		250001	-	4970698
B 02		250001	-	4970698
B 02		250001	-	4970698
B 02		250001	-	4970698
B 02		250001	-	4970698
B 02		250001	-	4970698
B 02		250001	-	4970698
B 03	451R.073	250001	- fitted until shown engine s.no	4970697
	451R.074	250001	- fitted until shown engine s.no	4970697
	451R.075	250001	- fitted until shown engine s.no	4970697
B 32	9881.341	250003	-	5229175





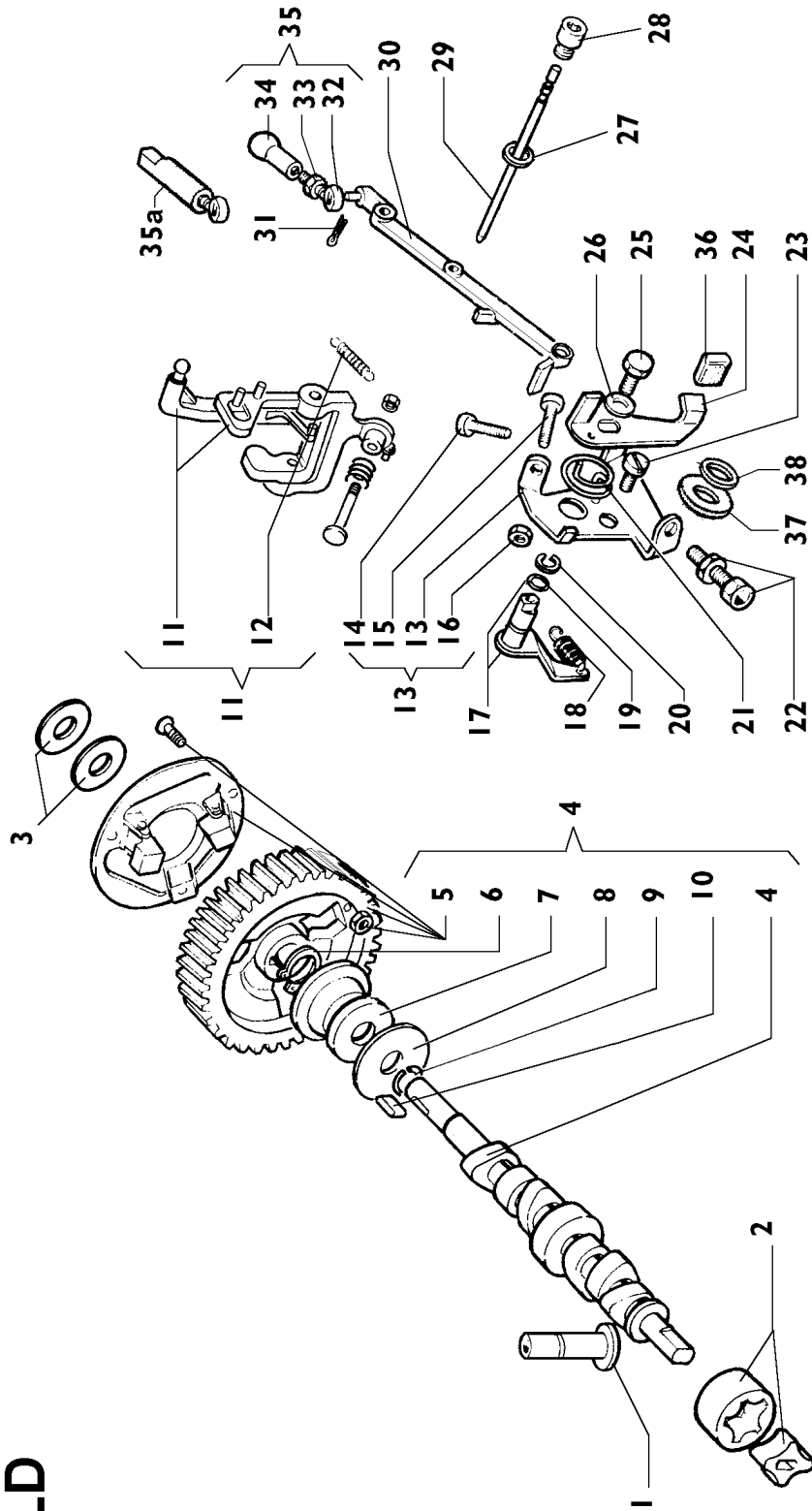
**CAMSHAFT/SPEED GOVERNOR/CONTROL LEVER**

POS.	CODE	DESCRIPTION	Qty
01	708R.019	tappet	4
02	A21R.043	lub. oil pump	1
03	777R.033	washer	1
03	777R.034	washer	1
04	A21R.037	camshaft	1
05	469R.081	gear	1
06	1240.013	snap ring	1
07	621R.022	governor tappet	1
08	777R.078	washer	1
09	059R.085	ring	1
10	498R.036	tab	1
11	495R.006	lever	1
11	495R.015	generating set governor lever	1
12	551R.014	spring	1
13	613R.091	safety plate	1
14	<----->	screw - no longer avail.	0
16	3240.004	nut M 5	2
17	491R.066	accelerator internal lever	1
18	551R.029	spring	1
19	579R.001	O-ring	1
20	1165.036	ring	1
21	547R.023	spring	1
22	9180.193	wire end	1
23	1770.001	bolt M 8 X 1,25 X 12	1
24	5201.270	accelerator external lever	1
25	1760.001	bolt M 6 X 1 X 10	1
26	7626.051	washer	1
27	4670.059	copper gasket	1
28	989R.062	screw	1
29	601R.077	journal	1
30	927R.014	tie rod	1
31	555R.037	spring	4
32	833R.012	setscrew	1
33	3240.004	nut M 5	1
34	<----->	joint - see Pos. C 35	0
35	833R.010	tie rod	1
36	6550.010	knob	1
37	5715.025	spring	2
38	777R.004	shim washer 0,5	7



# C 25LD

Engine: 25LD 330-2 Drawing: C



**INTAKE/EXHAUST/CYLINDER HEAD/ROCKER ARM BOX/VALVES**

POS.	CODE	DESCRIPTION	Qty
01	5462.099	muffler	1
02	3240.165	nut M 8	4
02a	3240.021	nut M 8	2
04	6780.068	stud M 8 X 18 (30)	4
05	450R.096	gasket for eXhaust muffler ref. 5462.099	2
05	451R.024	gasket	2
06	9732.063	screw M 8 X 35	2
07	771R.011	washer	4
08	211R.059	intake manifold std	1
08	211R.063	inlet manifold for glow plug	1
09	4420.097	gasket	1
10	809R.004	cotter	8
11	6400.101	retainer	4
12	540R.077	spring	4
13	6400.098	retainer	4
14	4535.015	valve retainer	4
15	059R.068	ring	4
16	<----->	valve guide	0
16	464R.077	valve guide	4
17	326R.041	hollowstud	1
18	772R.002	washer	8
19	A21R.038	cyl. head with seats and guides	2
19	A21R.039	complete cylinder head	2
20	960R.054	eXhaust valve	2
21	<----->	eXhaust v.seat +0,50 - no longer avail.	0
21	059R.087	ring	2
22	960R.053	intake valve	2
23	<----->	inlet v.seat - no more avail.	0
23	059R.088	inlet v.seat	2
24	949R.051	oil pipe	1
25	3630.178	clamp	1
26	<----->	oil sump - see Pos. D 31	0
27	359R.029	filter element	1
28	451R.006	gasket	1
29	579R.073	O-ring	1
30	670R.014	prefilter	1
31	388R.048	air Cleaner	1
32	3630.178	clamp	1
33	602R.003	journal	4
34	4670.088	copper gasket 18X24X1	4
35	104R.039	rocker Arm	2
35	104R.044	rocker Arm for compression release	2
36	323R.007	nut	4
37	726R.003	setscrew	4
38	104R.040	rocker Arm	2
39	450R.035	gasket	1
40	9732.078	screw M 6 X 25	6
41	9032.095	charging oil plug	1
42	758R.039	washer	1
43	233R.084	rocker arm cover with hole for oil filler	1
44	233R.082	rocker arm cover	1
45	4400.087	gasket	2
46	9730.034	screw M 8 X 55	2

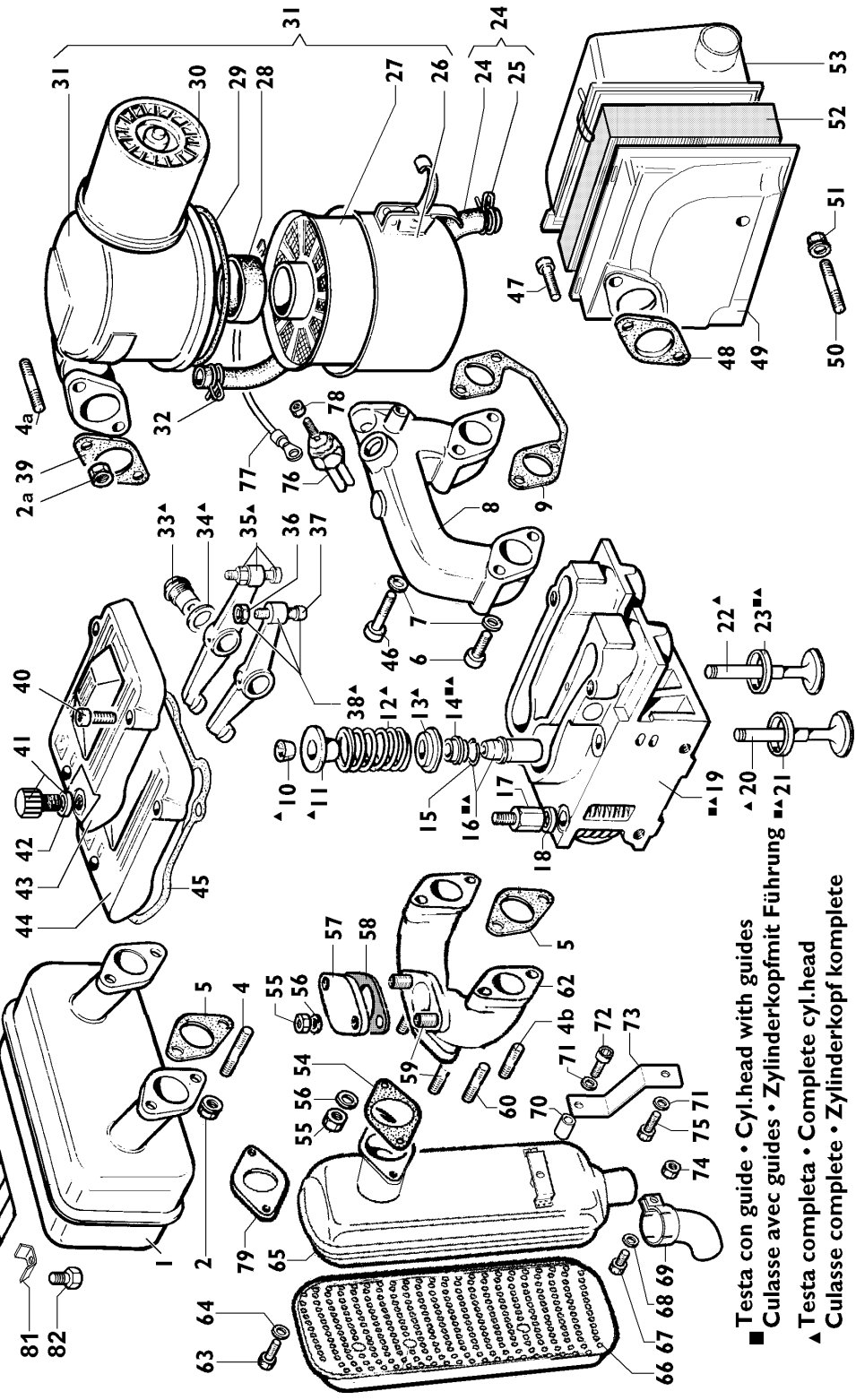
**Group: 25LD****Engine: 25LD 330-2 Drawing: D****INTAKE/EXHAUST/CYLINDER HEAD/ROCKER ARM BOX/VALVES**

POS.	CODE	DESCRIPTION	Qty
47	9732.064	screw M 8 X 30	2
48	450R.035	gasket	1
49	268R.029	air cleaner body	1
50	6780.019	stud M 8 X 30 (42)	2
51	3240.165	nut M 8	1
52	2175.273	air clean.cartridge	1
53	2605.110	air cleaner cover	1
54	4501.118	gasket	1
55	3240.163	nut M 8	8
57	399R.075	flange	1
58	450R.035	gasket	1
59	6780.085	stud M 8 X 35 (47)	4
60	6780.008	stud M 8 X 20 (32)	2
62	2486.448	ehXaust manifold	1
63	1770.042	bolt M 8 X 1,25 X 10	3
64	7565.007	washer diam. 8	3
65	5460.291	muffler with horiz.inlet flange	1
66	6927.172	muffler guard	1
67	1770.004	bolt M 8 X 1,25 X 20	1
68	7565.007	washer diam. 8	1
69	9170.052	muffler end (diam. 39,5/42)	1
70	356R.015	spacer	1
71	7625.012	washer diam. 8,4	2
72	9732.075	screw M 8 X 50	1
73	859R.062	muffler support bracket	1
74	323R.003	nut	1
75	1770.009	bolt M 8 X 1,25 X 35	1
76	2100.055	preheating glow plug 12V (M 22 X 1,5)	1
77	2185.867	glow plug wire 12V	1
78	3240.004	nut M 5	1
79	3815.108	flange	1
80	688R.100	muffler guard	1
81	5111.113	safety plate	3
82	1760.032	screw TE M6X14	3



# D

## 25LD



- Testa con guide • Cyl. head with guides
- Cylasse avec guides • Zylinderkopfmit Führung
- ▲ Testa completa • Complete cyl. head
- ▲ Cylasse complete • Zylinderkopf complete

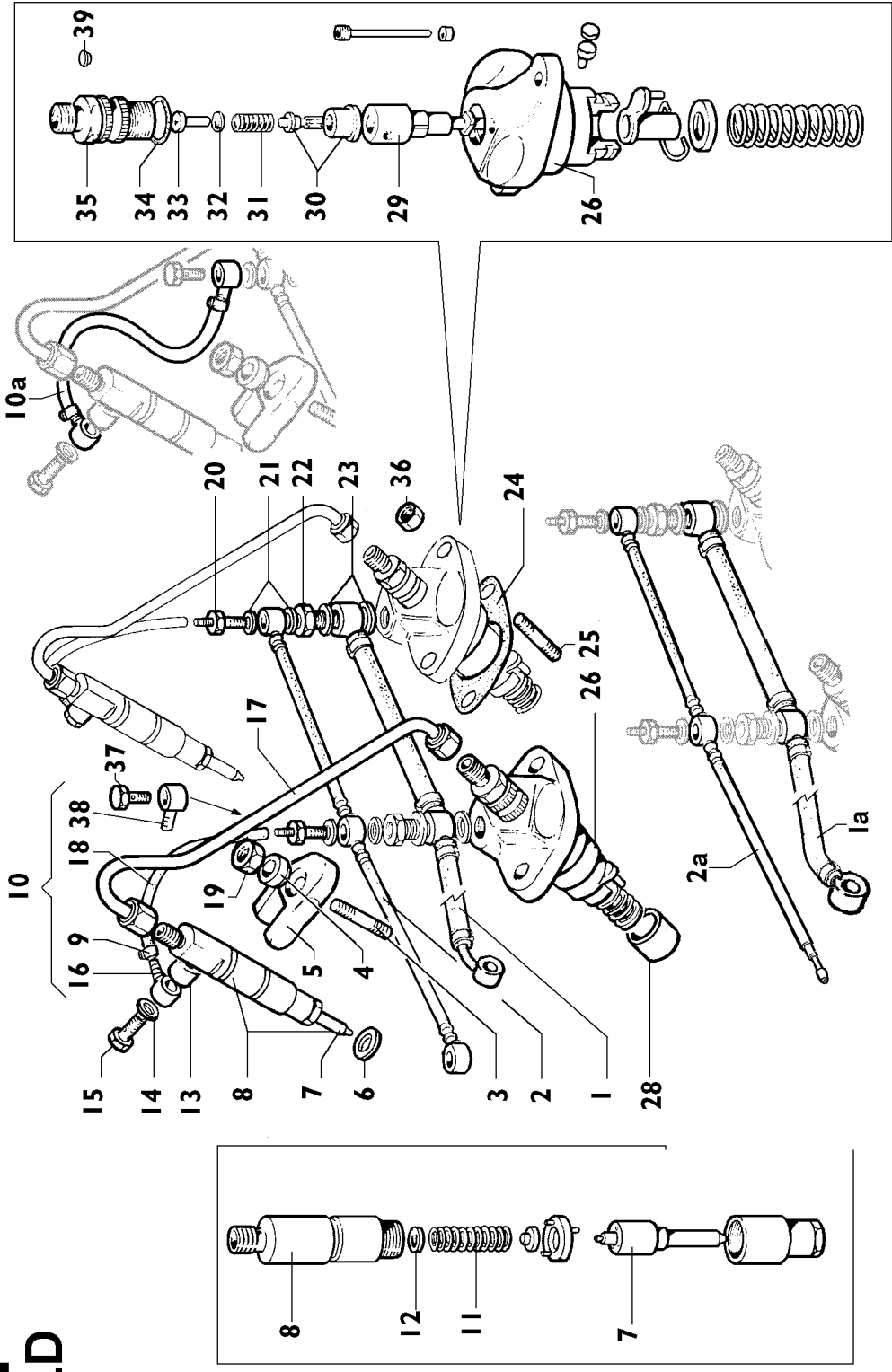
**INJECTION PUMP/NOZZLE HOLDER**

POS.	CODE	DESCRIPTION	Qty
01	937R.046	fuel pipe from feed pump to inj.pump	1
01a	937R.047	fuel pipe from fuel filter to inj.pump	1
02	937R.037	dearetion pipe	1
02a	938R.024	dearetion pipe	1
03	676R.088	stud	2
04	771R.097	washer	2
05	858R.094	brace	2
06	754R.035	washer	2
06	754R.051	washer	2
07	<----->	nozzle - see Pos. E 08	0
07	644R.068	nozzle Stanadyne	2
08	644R.047	nozzle-holder Stanadyne	3
08	644R.056	nozzle-holder Bosch	2
09	<----->	clamp dia 9-11	0
10a	9571.252	purge hose	0
11	540R.079	spring	2
12	837R.030	shim	2
12	837R.035	shim	2
13	754R.050	washer	2
14	4670.062	copper gasket diam. 6,2 X 10 X 1,5	2
15	7260.053	connection EPA version	2
16	<----->	banjo union diam. 6	0
17	944R.067	injection fuel pipe	2
18	<----->	purge hose	0
19	323R.003	nut	2
20	<----->	union	0
21	4670.058	copper gasket diam. 8,2X12X1,5	4
22	1901.012	union bolt	2
23	4670.060	copper gasket diam.12	4
24	450R.065	gasket	2
24	450R.066	gasket	2
24	450R.067	gasket	2
25	6780.068	stud M 8 X 18 (30)	2
26	656R.060	injection pump	2
28	7215.035	tappet	2
29	660R.024	pumping element	2
30	956R.043	valve	2
31	5755.034	spring	2
32	8335.029	washer seal	2
33	7470.003	filler	2
34	1200.279	O ring	2
35	7265.008	union	2
36	3203.099	nut	4
37	716R.017	union	2
39	738R.010	plug	2





# E 25LD



**COOLING PANELS/FUEL TANK/FUEL FEEDING PUMP**

POS.	CODE	DESCRIPTION	Qty
01	391R.045	fuel filter element	1
02	1760.018	bolt M 6 X 70	1
03	754R.032	copper gasket	1
04	450R.097	gasket	1
05	2175.205	fuel filter element	1
05a	2175.200	fuel filter element	1
06	3630.008	clamp	1
07	7625.012	washer diam. 8,4	12
08	9374.022	fuel hose(mm 580)	1
08a	937R.032	fuel hose(mm 500)	1
09	1770.004	bolt M 8 X 1,25 X 20	4
09a	1770.006	bolt M 8 X 1,25 X 25	2
10	«-----»	gasket	0
10a	1200.087	O ring 3150	1
11	6780.049	intake stud M 8 X 20 (36)	2
12	6585.097	feed pump	1
13	3240.164	nut M 8	2
14a	1901.030	union bolt M 10	2
15	4670.059	copper gasket	4
16	704R.013	feed pump rod	1
21	7555.029	washer diam. 8	2
22	8506.003	engine lifting eye	2
23	326R.038	nut	7
24	588R.085	gate	1
25	9790.138	capscrew	2
25a	9730.107	screw M 6 X 14	2
26	2569.677	shroud	1
27	297R.001	cylinder casing	1
28	588R.088	gate	1
29	9730.107	screw M 6 X 14	4
30	7625.008	washer diam. 6,4	2
31	9732.074	screw M 8 X 20	2
33	3203.075	nut M 8	4
34	1770.089	bolt M 8 X 1,25 X 30	2
35	354R.080	spacer	2
36	879R.068	support	1
36a	879R.063	support	1
37	323R.003	nut	2
38	1901.173	union	1
39	4670.058	copper gasket diam. 8,2X12X1,5	1
40	754R.046	washer	1
41	9043.098	tank cap	1
41a	898R.021	tank cap	1
42	582R.096	guard	1
43	8101.106	fuel tank (plastic type)	1
43a	A20R.047	fuel tank	1
44	354R.080	spacer	2
45	993R.062	screw	1
46	7625.052	washer	1
47	588R.093	gate	1
48	588R.086	gate	1
50	379R.017	felt gasket	2
53	613R.017	safety plate	1

Group: 25LD

Engine: 25LD 330-2 Drawing: F

COOLING PANELS/FUEL TANK/FUEL FEEDING PUMP			
POS.	CODE	DESCRIPTION	Qty
54	772R.043	washer	2
55	738R.011	rivet	2
56	555R.032	spring	1
58	738R.011	rivet	2
59	772R.036	washer	3
60	742R.018	rivet	3
61	2670.051	pulley guard	1
62	601R.073	journal	1
63	879R.088	support	1
64	738R.011	rivet	5
65	601R.053	journal	1
66	772R.043	washer	5
67	1165.004	circlip diam. 5	2
68	3526.097	spacer	2
69	9732.064	screw M 8 X 30	2
70	7625.012	washer diam. 8,4	4
71	1770.009	bolt M 8 X 1,25 X 35	2
72	1901.032	union bolt M 14	2
73	4670.061	copper gasket diam.14	4
76	612R.031	safety plate	1
78	323R.003	nut	2
79	3730.157	fuel filter	1
80	2175.045	fuel filter cartridge	1







**OIL FILTER/OIL COOLER**

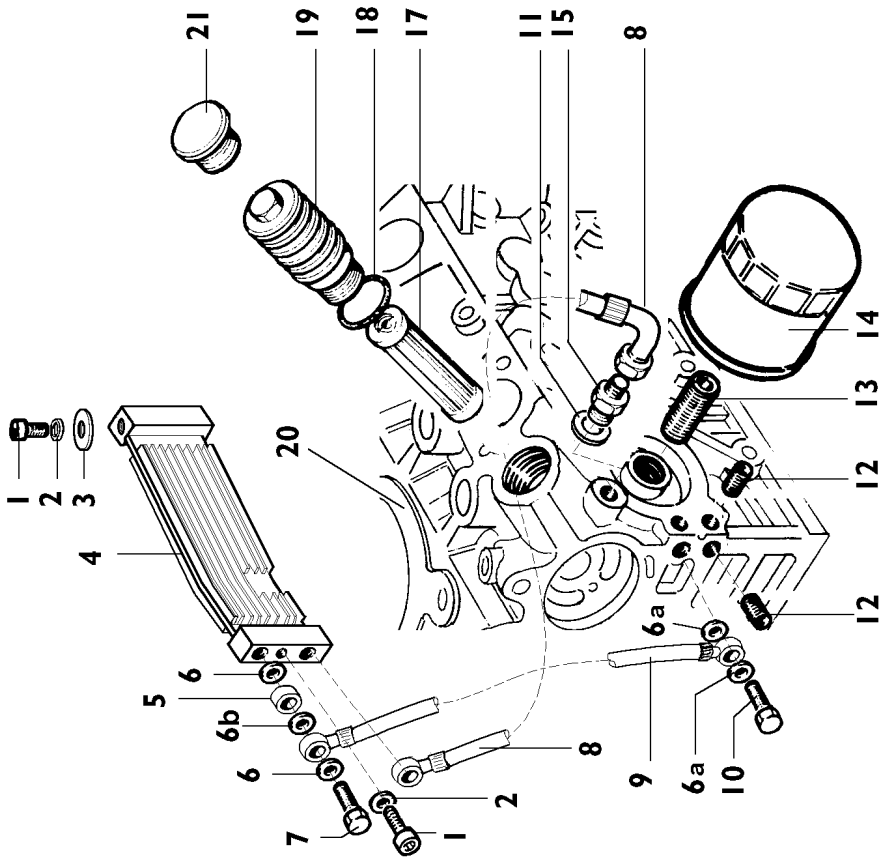
POS.	CODE	DESCRIPTION	Qty
17	2175.195	oil filter cartridge	1
18	579R.069	O-ring	1
19	894R.055	threaded plug	1





# G 25LD

Engine: 25LD 330-2 Drawing: G



**ELECTRICAL STARTING/ELECTRICAL EQUIPMENT**

POS.	CODE	DESCRIPTION	Qty
01	563R.054	starting motor 12V 1,1KW	1
01	5840.211	starting motor 24V 2,5 KW (BOSCH)	1
01	5840.248	starting motor 12 V 1,2 KW (with antidusty guard)	1
02	9730.045	screw M 10 X 30	2
03	9180.168	faston	1
04	763R.002	washer	1
05	323R.003	nut	1
06	6740.153	inlet regul.Saprisa	1
07	9731.092	screw M 8 X 14	2
08	7362.383	volt.regulator 12V 20A fitted for electronic tachometer - 5+W c	1
09	9732.063	screw M 8 X 35	2
10	353R.082	spacer	2
11	613R.064	safety plate	1
12	2471.019	collar mm 175	3
13	2145.014	regulator cap	1
14	6491.013	pipe elbow	1
15	674R.001	pressure switch	1
16	4670.058	copper gasket diam. 8,2X12X1,5	1
17	613R.076	safety plate	2
18	1157.341	alternator 12V 18A for electric starting	1
19	256R.014	crown gear	1
27	325R.084	nut	1
28	771R.046	washer	1
30	1755.024	bolt M 5 X 20	4
31	9730.319	screw M 6 X 12	5



# H 25LD

